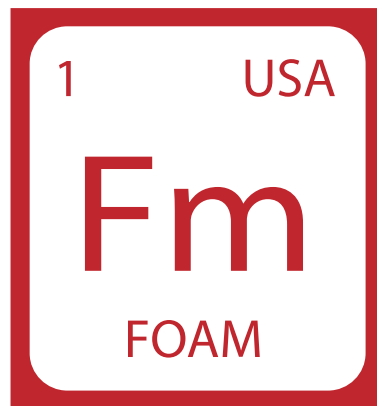




VARIAL



Manufacturing & Purchasing Guide 2017 v1.5

MADE IN THE USA

www.varialsurf.com | sales@varialsurf.com | (805) 288-3577 | @varial_surf

Varial Foam is the world's first high performance foam adapted from advanced aerospace materials for surfboard construction. It is a new chemistry to surfboards which focuses on improving the performance of the surfboard core, while letting you retain control of the manufacturing process and standards. This advanced material eliminates variables which often negatively effect a board's performance. Varial Foam puts all the benefits of a high-modulus core right into your hands.

Foam Attributes:

- 20% stronger compared to standard PU, eliminating the need for a stringer.
- 25% lighter.
- Uniform density throughout the entire blank. No soft centers or pour lines.
- Blank density is 2.35 pcf (+/- 10%).
- 100% UV resistant. Varial Foam will never yellow.

Machining:

- Cut like any normal PU or EPS blank.
- Highest bit speed recommended.
- No melting will occur.
- Isopropyl alcohol gas will be released when cutting. Cut in well ventilated area.
- Varial Foam is non-hazardous.
- Due to the high strength of Varial Foam, some internal tension exists in material. After the first side is cut, the blank may spring towards the side which material was removed from. For highest -precision results, measure the rocker and secure the blank into the correct rocker positions for cutting the second side. After the second side is cut the blank will relax back into the natural rocker.

Shaping:

- Finish shape like any other foam blank.
- Shapes and sands smooth. Foam will turn to dust and not chunk off.
- Varial Foam is receptive to all tools: screens, planers, sanding.
- Won't bow or flex-out when in the racks, holds a clean and rigid line.
- Do not leave a Varial foam on a rack with weight on it when it is not being shaped, or upright on it's nose. Creep will occur and distort the rocker when un-glassed Varial Foam is under load for extended periods of time. If this does occur, load can be reversed to creep material back to original shape.

Glassing:

- For use with either Epoxy or Polyester resin systems.
- Small cell size allows for excess resin weight to be squeegeed out.
- No out-gassing of the foam after shaping.
- Strong bond between core and fiberglass skins. Little to no delamination issues.
- Rigid foam creates an extra strong hold for fin boxes.
- Normal glassing schedules recommended. For ultra light weight boards, single 4oz cloth can be used and still retain increased breaking strength.



How To Order:

1. Pick a blank dimension which fits your board.
2. One rocker fits all. Varial Foam blanks have even thickness and density throughout the blank to accommodate a wide range of rockers. No need to choose close tolerance blanks anymore.
3. Email order form (page 16) to sales@varialsurf.com or call (805) 886-1256 with your order and quantity (e.g. 6'4" PB blank, or 8'0" EW blank).

Performance Blanks (PB)

<u>Blank Dimension</u>	<u>Nose Rocker Range</u>	<u>Tail Rocker Range</u>
6'0" x 21" x 3.1"	4" - 6.9"	0.6" - 2.6"
6'4" x 21" x 3.1"	4" - 6.9"	0.8" - 3.15"
6'8" x 21" x 3.1"	4" - 6.9"	1" - 3.35"
7'0" x 21" x 3.1"	4" - 6.9"	1.3" - 3.65"
7'6" x 22.5" x 3.1"	4" - 6.9"	1.8" - 4.15"
8'0" x 22.5" x 3.1"	4" - 6.9"	2.2" - 4.55"

Extra Wide Blanks (EW)

<u>Blank Dimension</u>	<u>Nose Rocker Range</u>	<u>Tail Rocker Range</u>
6'0" x 23" x 3.1"	4" - 6.9"	0.6" - 2.6"
6'4" x 23" x 3.1"	4" - 6.9"	0.8" - 3.15"
6'8" x 23" x 3.1"	4" - 6.9"	1" - 3.35"
7'0" x 23" x 3.1"	4" - 6.9"	1.3" - 3.65"
7'6" x 24" x 3.1"	4" - 6.9"	1.8" - 4.15"
8'0" x 24" x 3.1"	4" - 6.9"	2.2" - 4.55"

Services

	<u>Price</u>
Custom Close Tolerance Milled Blank	\$15 (+ set up fee)
Pre-Cuts (< 6)	\$45 (per board)
Pre-Cuts (6 +)	\$30 (per board)

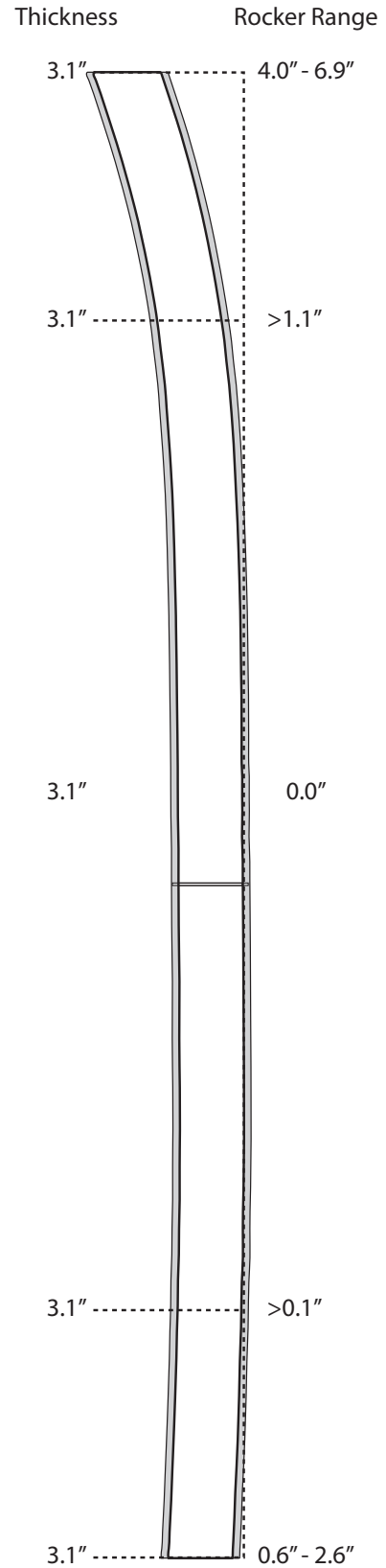
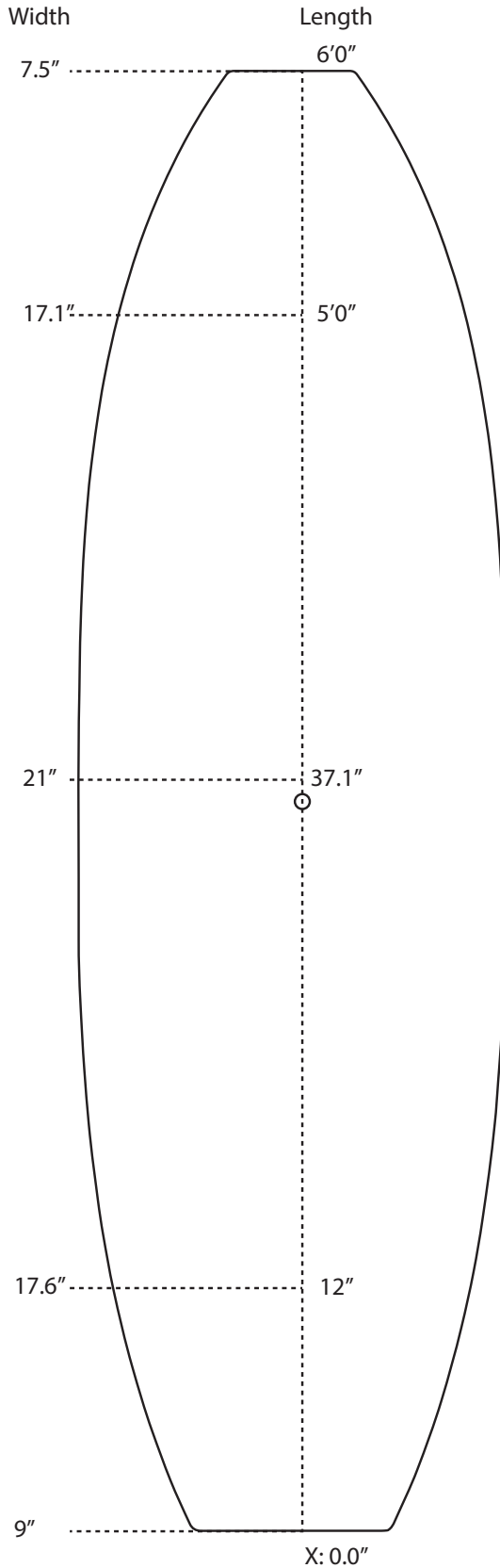
All blank files are available in AKU and Shape3D formats.

VARIAL FOAM 6'0" PB (PERFORMANCE BLANK)

Length: 6'0" Width: 21"

Volume: 65.5L

■ = Skin thickness on blank

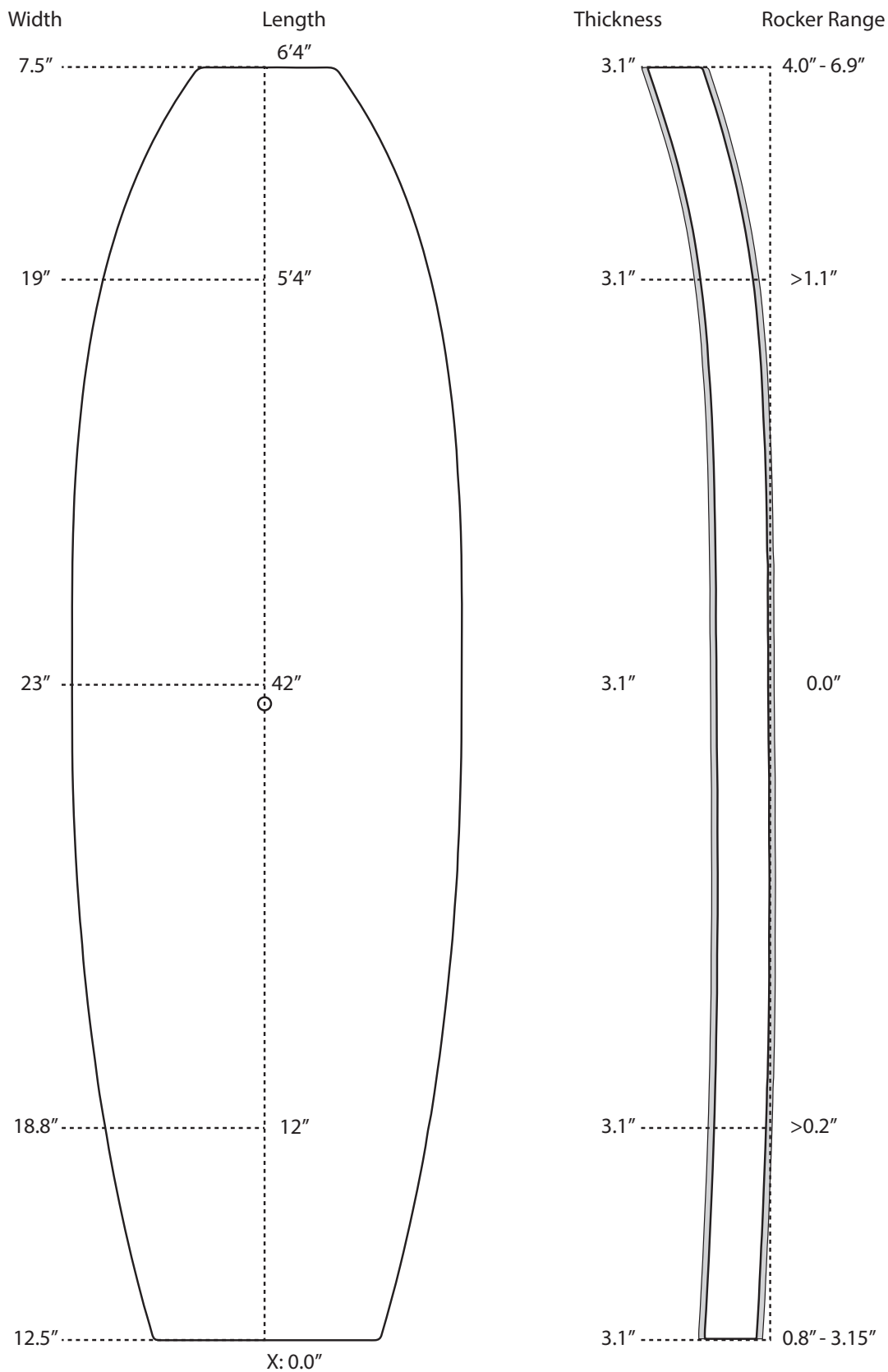


MADE IN USA

www.varialsurf.com | sales@varialsurf.com | (805) 288-3577 | @varial_surf

VARIAL FOAM 6'4" EW (EXTRA WIDE)
Length: 6'4" Width: 23"
Volume: 76.8L

■ = Skin thickness
on blank

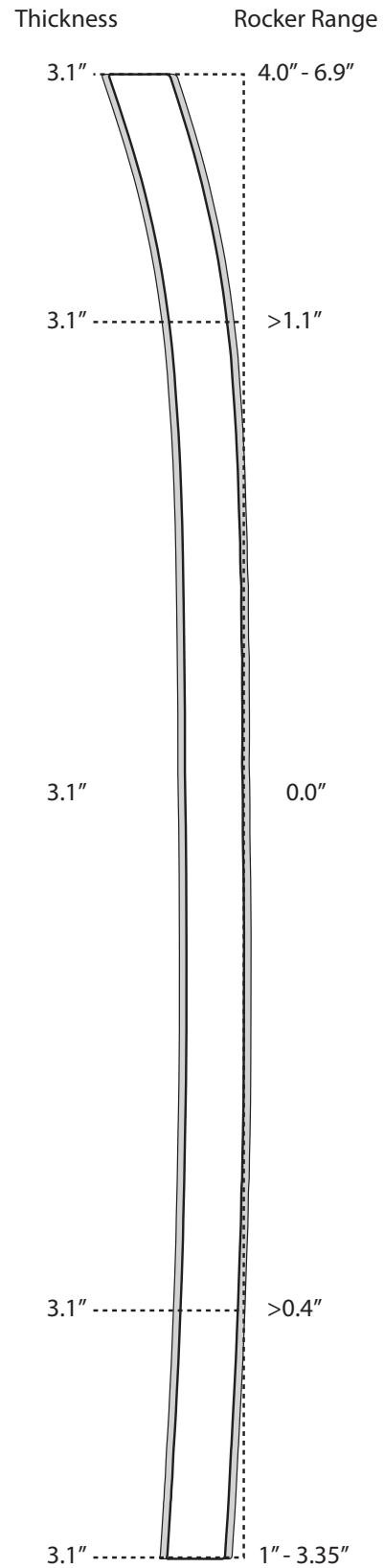
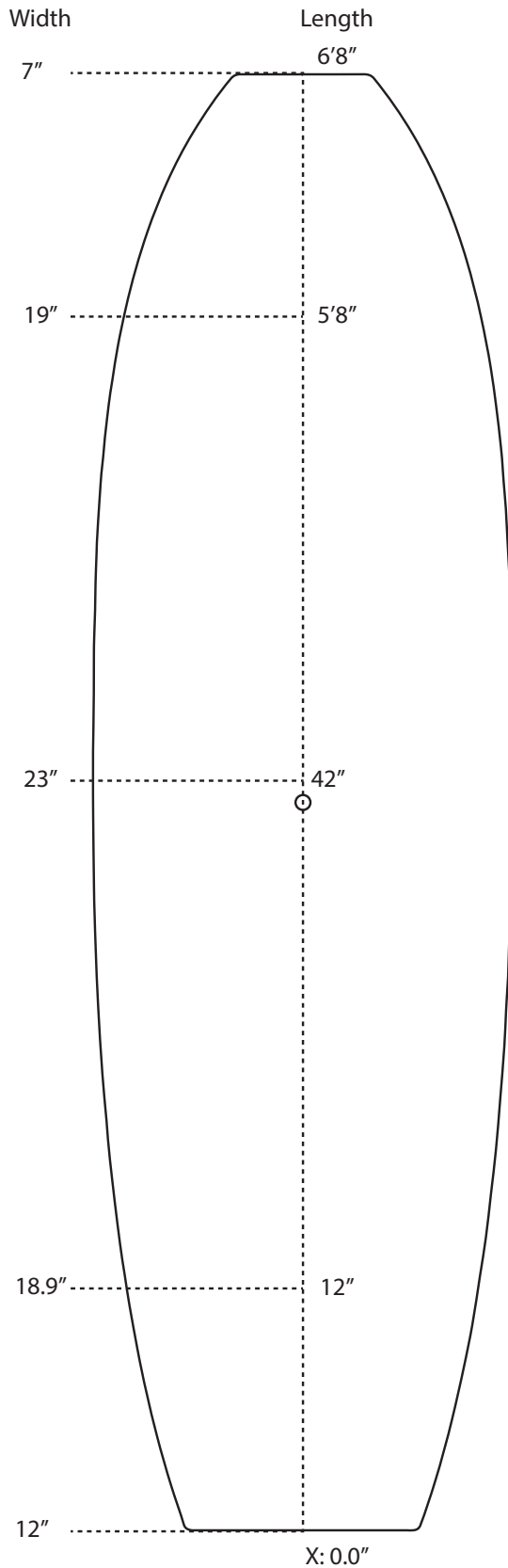


MADE IN USA

www.varialsurf.com | sales@varialsurfboards.com | (805) 288-3577 | @varial_surf

VARIAL FOAM 6'8" EW (EXTRA WIDE)
 Length: 6'8" Width: 23"
 Volume: 81.2L

■ = Skin thickness
 on blank



MADE IN USA

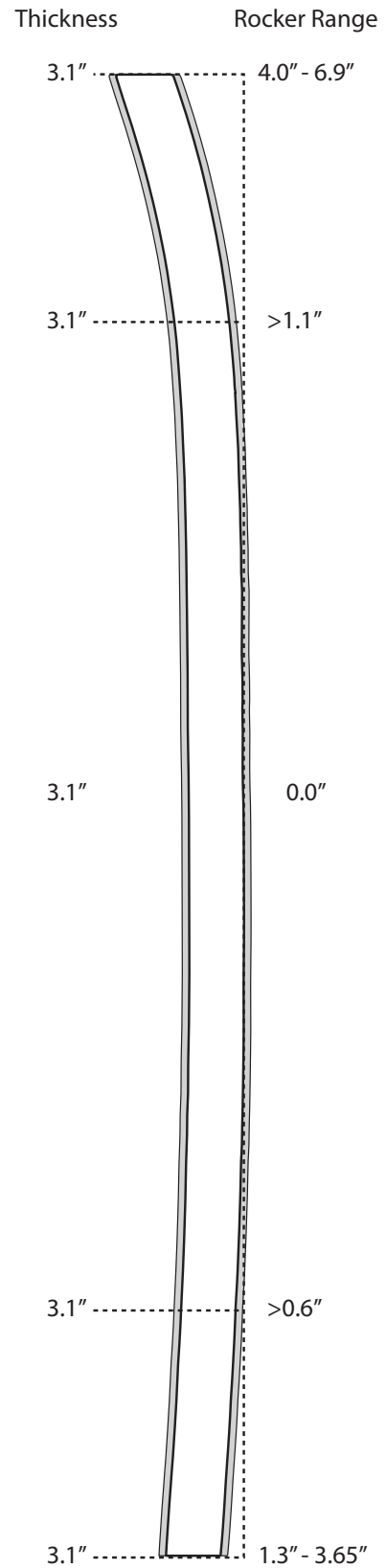
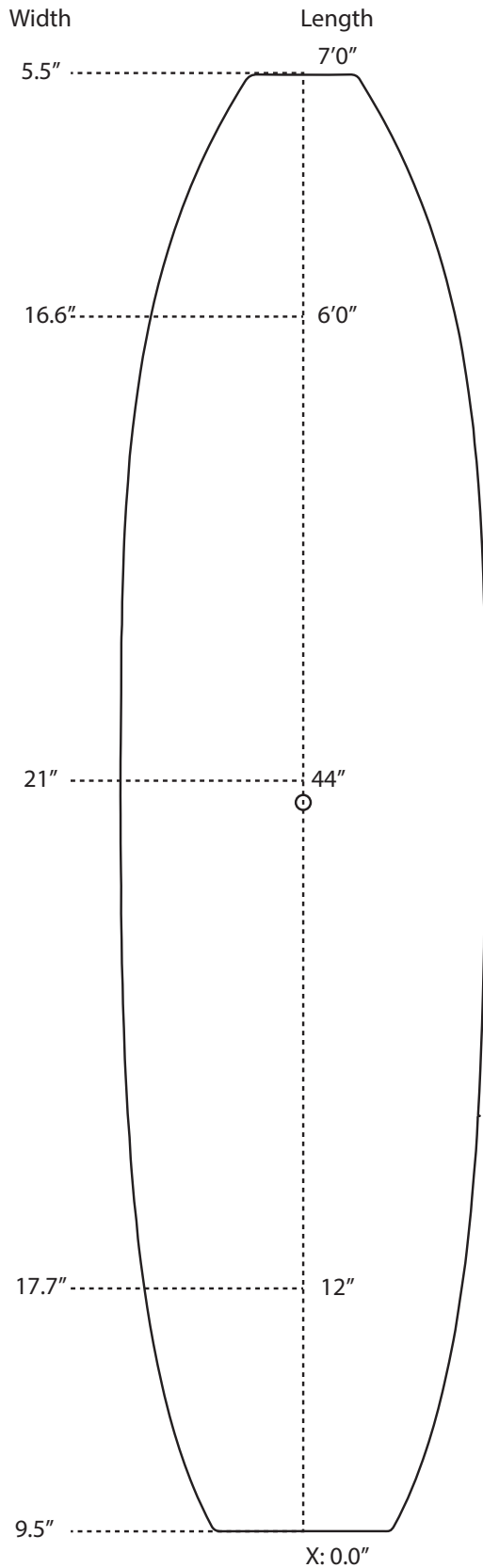
www.varialsurf.com | sales@varialsurf.com | (805) 288-3577 | @varial_surf

VARIAL FOAM 7'0" PB (PERFORMANCE BLANK)

Length: 7'0" Width: 21"

Volume: 77.7L

■ = Skin thickness on blank

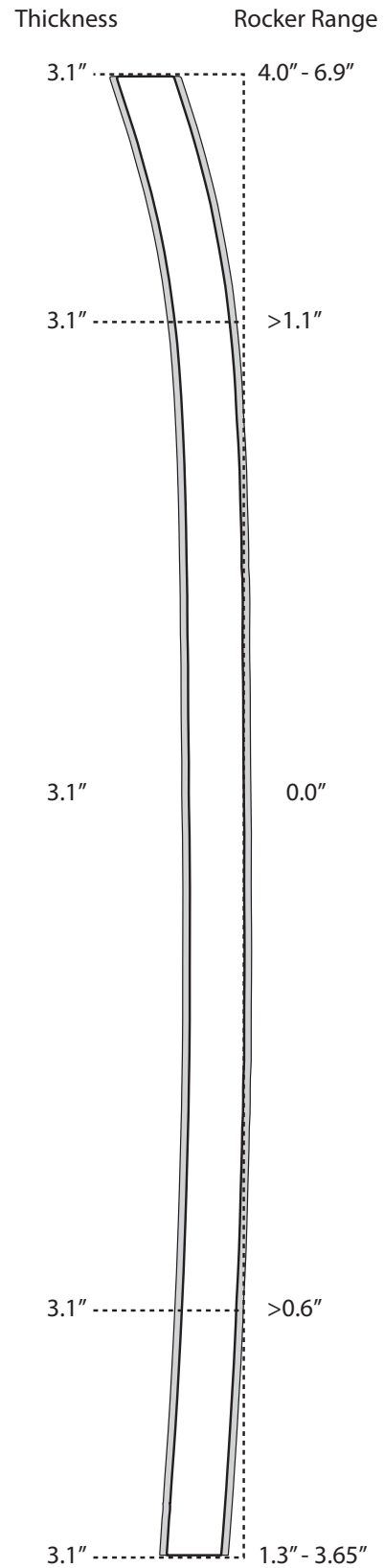
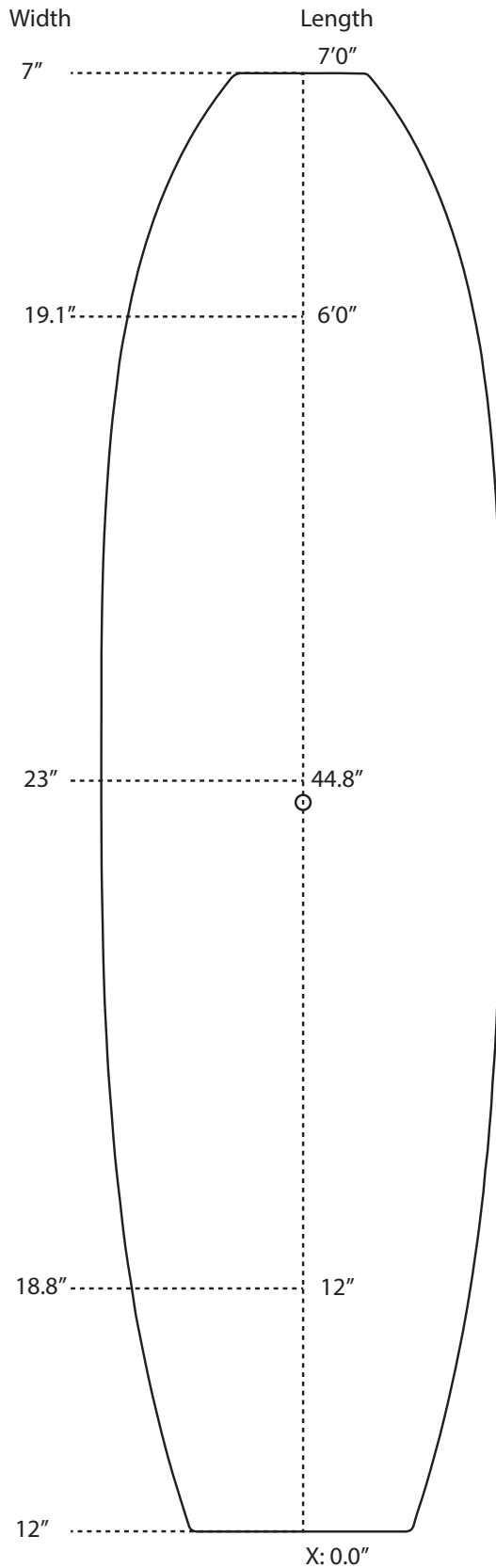


MADE IN USA

www.varialsurf.com | sales@varialsurf.com | (805) 288-3577 | @varial_surf

VARIAL FOAM 7'0" EW (EXTRA WIDE)
 Length: 7'0" Width: 23"
 Volume: 81.2L

■ = Skin thickness
 on blank



MADE IN USA

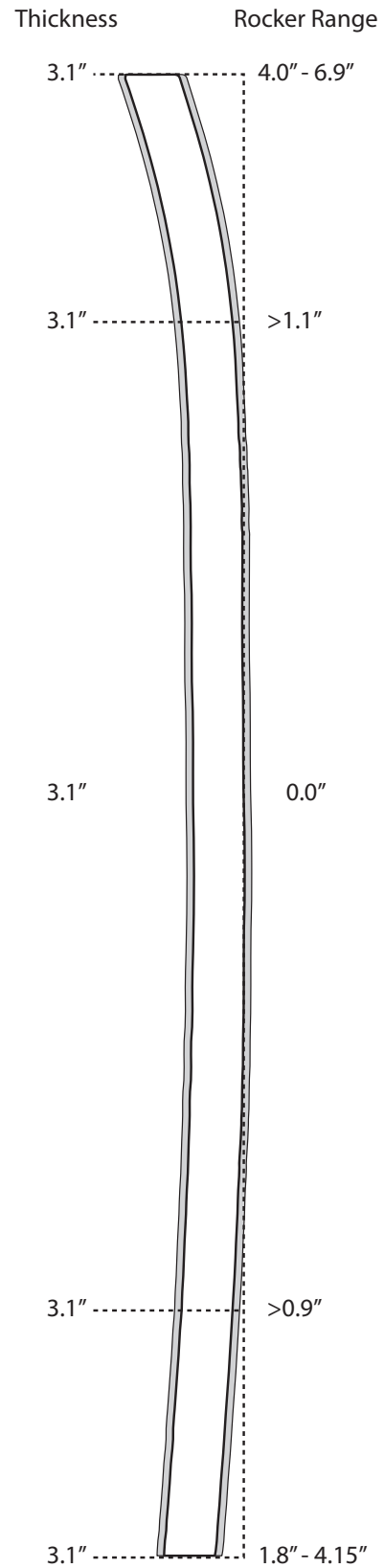
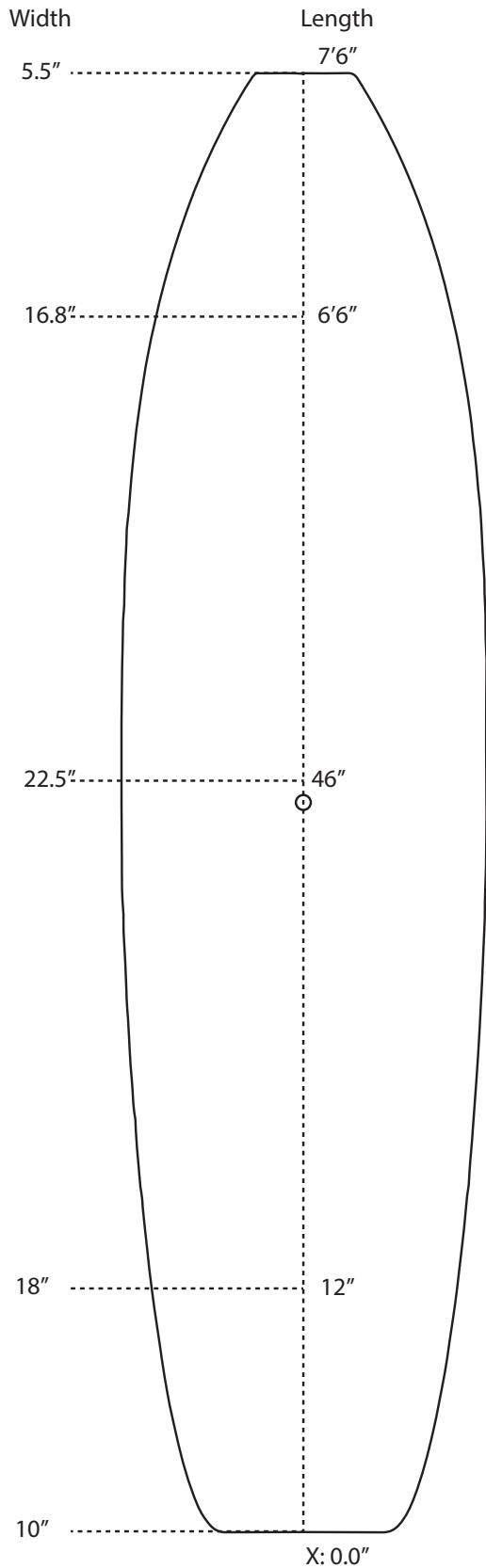
www.varialsurf.com | sales@varialsurf.com | (805) 288-3577 | @varial_surf

VARIAL FOAM 7'6" PB (PERFORMANCE BLANK)

Length: 7'6" Width: 22.5"

Volume: 87.7L

■ = Skin thickness on blank

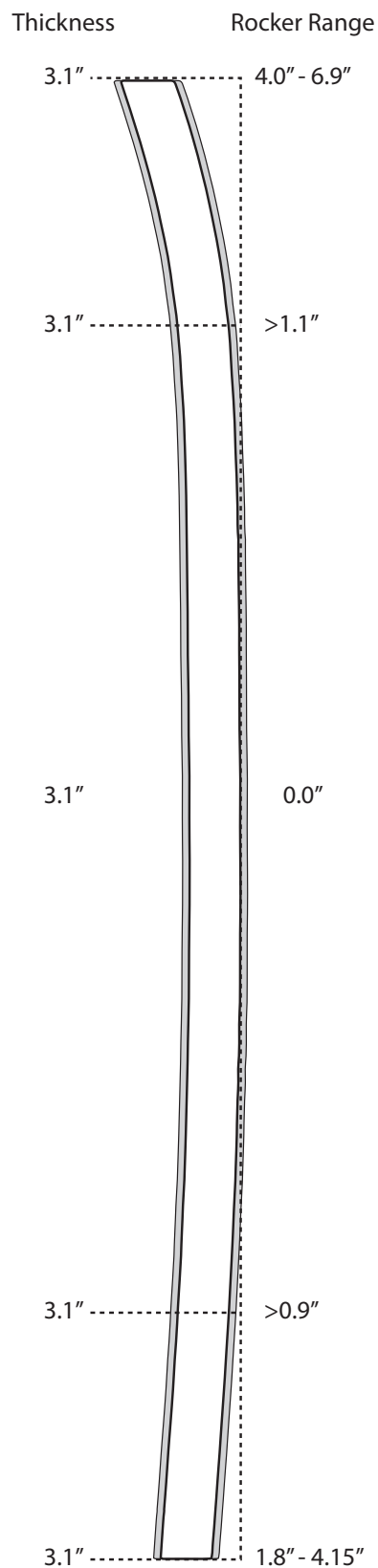
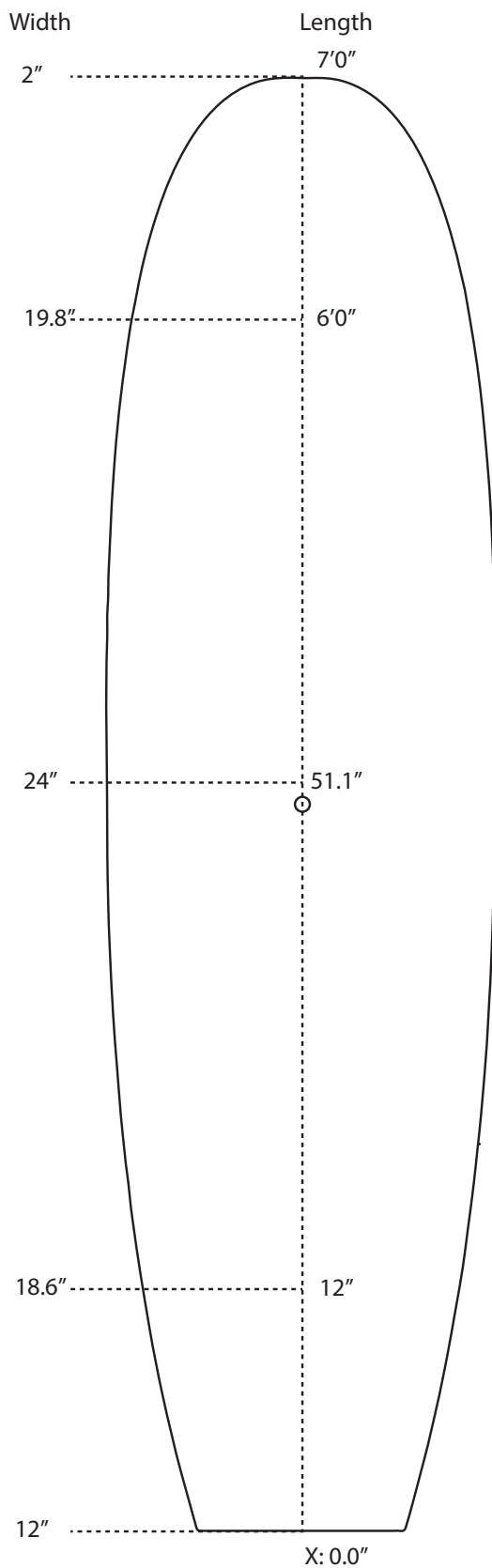


MADE IN USA

www.varialsurf.com | sales@varialsurf.com | (805) 288-3577 | @varial_surf

VARIAL FOAM 7'6" EW (EXTRA WIDE)
 Length: 7'6" Width: 24"
 Volume: 95.2L

■ = Skin thickness
 on blank



MADE IN USA

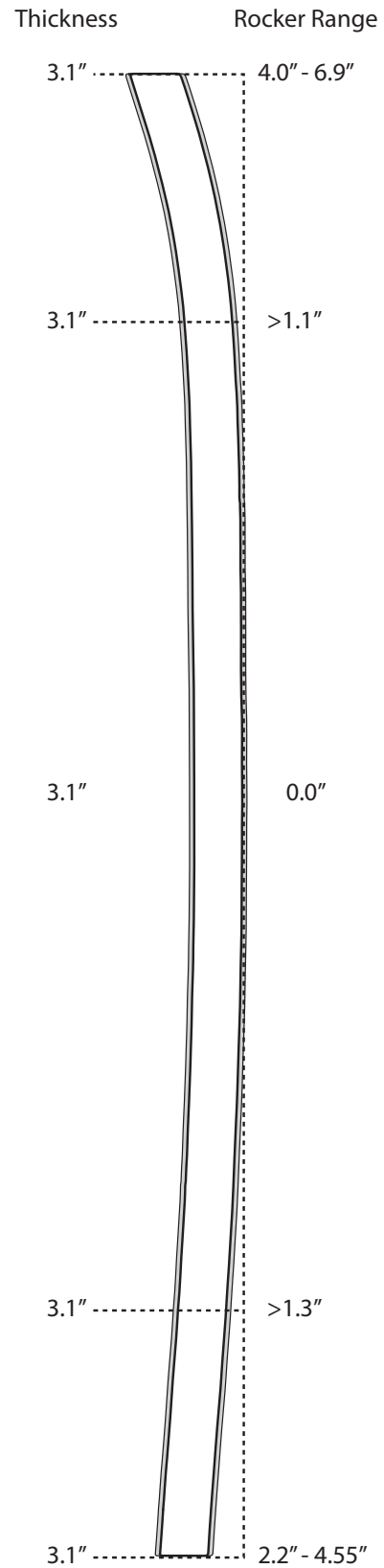
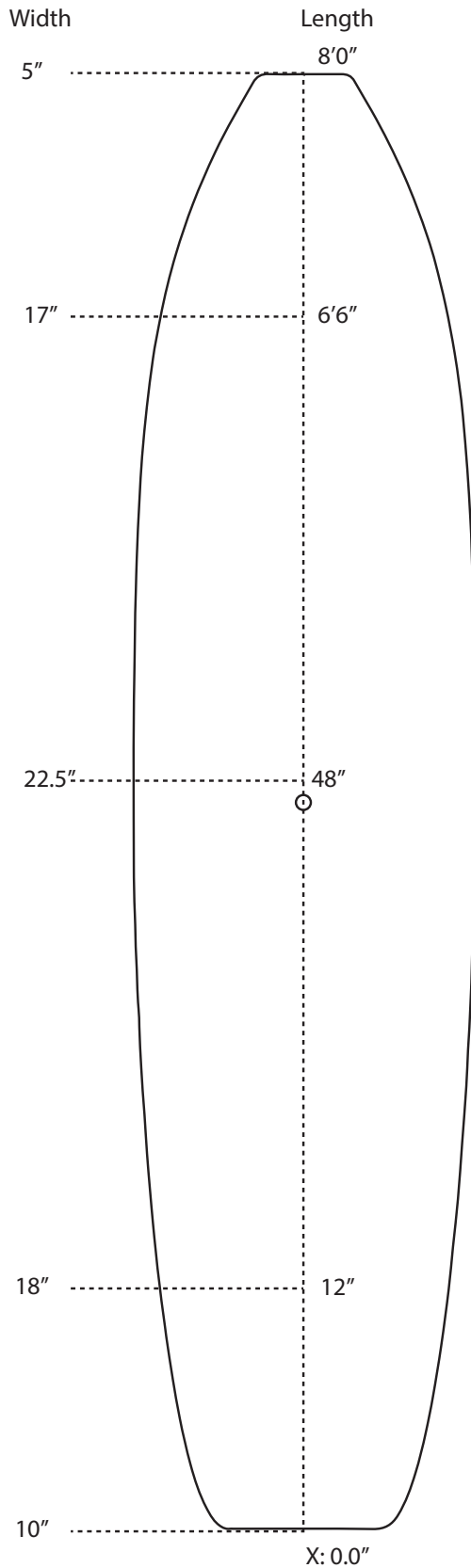
www.varialsurf.com | sales@varialsurf.com | (805) 288-3577 | @varial_surf

VARIAL FOAM 8'0" PB (PERFORMANCE BLANK)

Length: 8'0" Width: 22.5"

Volume: 94.5L

■ = Skin thickness on blank

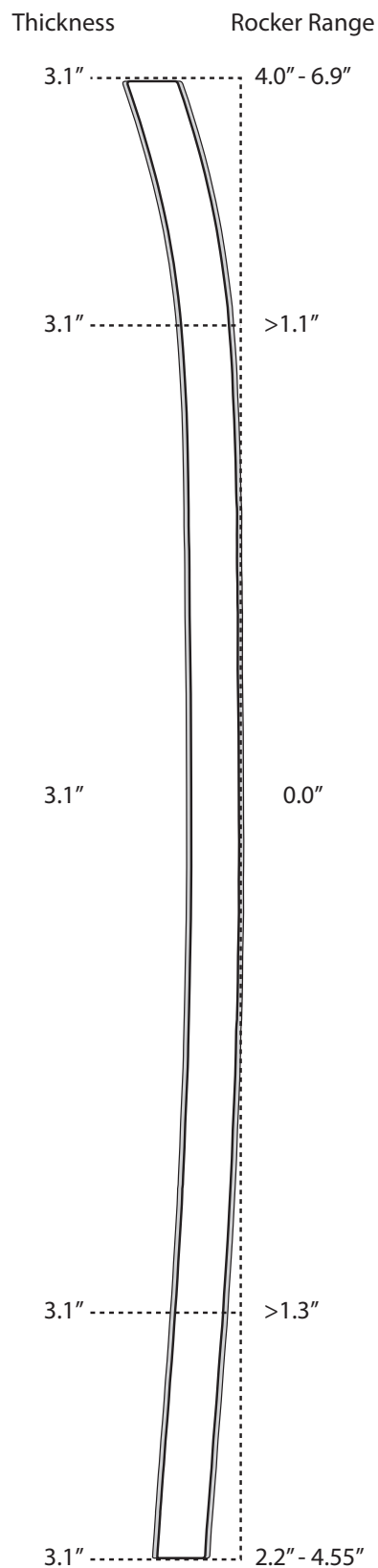
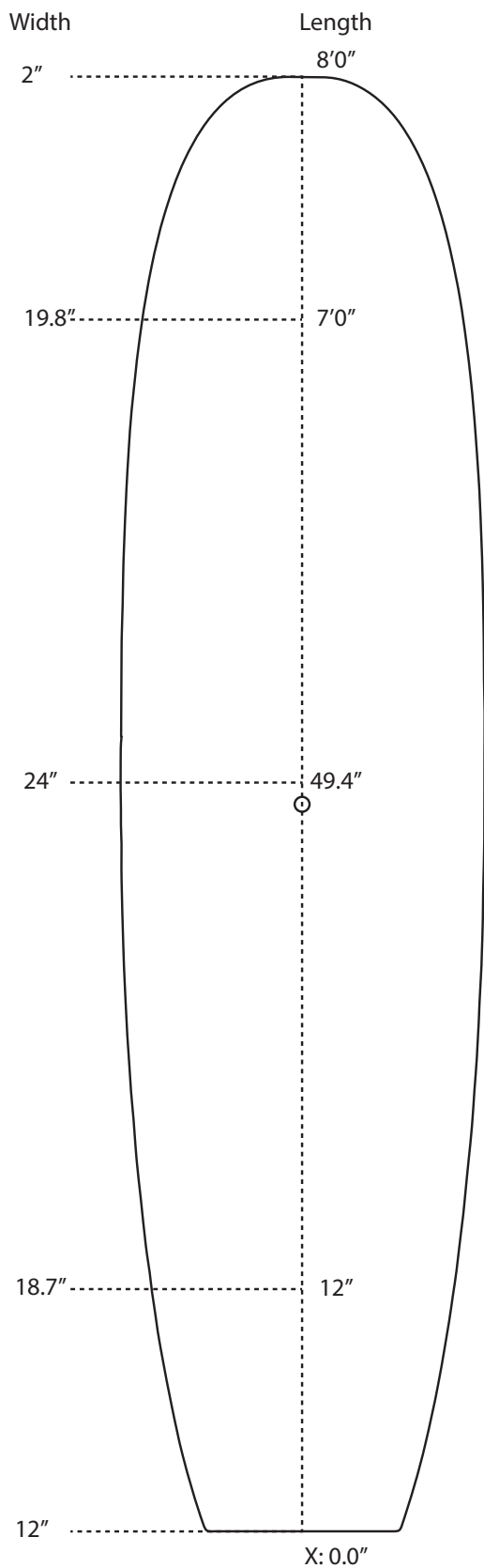


MADE IN USA

www.varialsurf.com | sales@varialsurf.com | (805) 288-3577 | @varial_surf

VARIAL FOAM 8'0" EW (EXTRA WIDE)
Length: 8'0" Width: 24"
Volume: 103.3L

■ = Skin thickness
on blank



MADE IN USA

www.varialsurf.com | sales@varialsurf.com | (805) 288-3577 | @varial_surf



Order Form



Date: _____ PO#: _____ Resale #: _____

Customer Name: _____

Name on Credit Card: _____

Billing Address: _____

Phone #: _____ Fax #: _____

Email: _____

Credit Card #: _____ Expiration: _____ Security Code: _____

Pick up

Delivery* Address: _____

* Delivery fee may apply

QTY	BLANK LENGTH & TYPE	BLANK PRICE	CUSTOM CUT FILE NAME	CUT PRICE

Varial Use Only: Cut Boxed/Delivered Invoice SOS
Location: Ventura Kapolei, HI Salesperson: _____

Varial Surf Technology

1922 Palma Drive, Suite H
Ventura, CA 93003

MADE IN USA

www.varialsurf.com | sales@varialsurf.com | (805) 288-3577 | @varial_surf

California Resale Certificate

I HEREBY CERTIFY:

1. I hold valid seller's permit number: _____

2. I am engaged in the business of selling the following type of tangible personal property:

3. This certificate is for the purchase from Varial Surf Technology of the item(s) I have listed in paragraph 5 below. [Vendor's name]

4. I will resell the item(s) listed in paragraph 5, which I am purchasing under this resale certificate in the form of tangible personal property in the regular course of my business operations, and I will do so prior to making any use of the item(s) other than demonstration and display while holding the item(s) for sale in the regular course of my business. I understand that if I use the item(s) purchased under this certificate in any manner other than as just described, I will owe use tax based on each item's purchase price or as otherwise provided by law.

5. Description of property to be purchased for resale:

Foam surfboard blanks, and/or surfboards.

6. I have read and understand the following:

For Your Information: A person may be guilty of a misdemeanor under Revenue and Taxation Code section 6094.5 if the purchaser knows at the time of purchase that he or she will not resell the purchased item prior to any use (other than retention, demonstration, or display while holding it for resale) and he or she furnishes a resale certificate to avoid payment to the seller of an amount as tax. Additionally, a person misusing a resale certificate for personal gain or to evade the payment of tax is liable, for each purchase, for the tax that would have been due, plus a penalty of 10 percent of the tax or \$500, whichever is more.

NAME OF PURCHASER

SIGNATURE OF PURCHASER, PURCHASER'S EMPLOYEE OR AUTHORIZED REPRESENTATIVE



PRINTED NAME OF PERSON SIGNING

TITLE

ADDRESS OF PURCHASER

TELEPHONE NUMBER

DATE

()